

PRODUCT NAME

SF2DK

EDITION

Rev. No

1

EXPLANATION

Material specification changed.

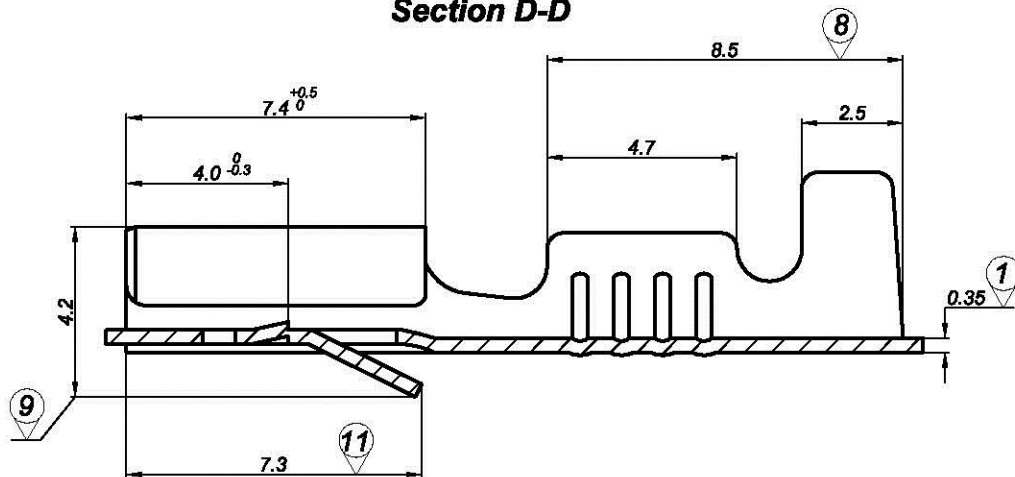
DATE

28.03.2011

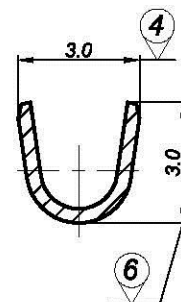
H

PLEASE DO NOT MEASURE THE DIMENSIONS FROM THE DRAWING.

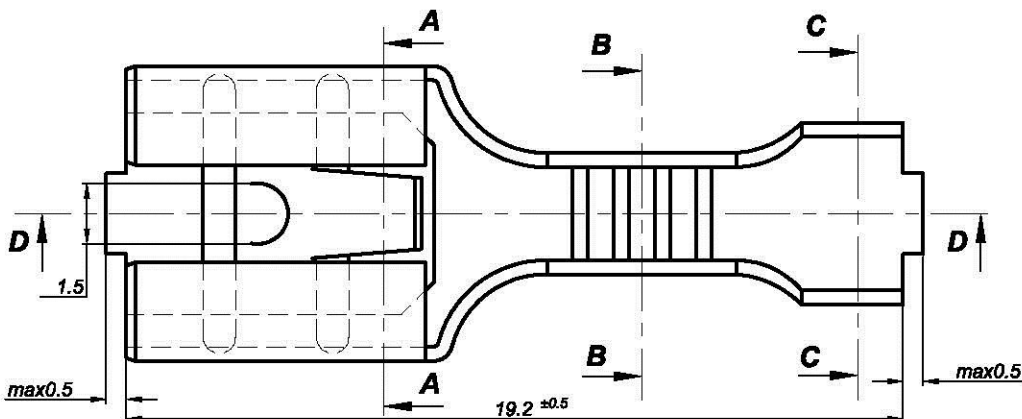
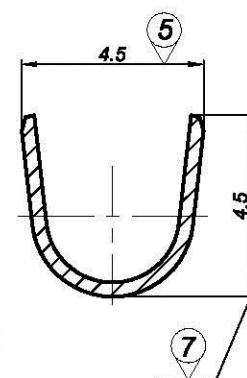
Section D-D



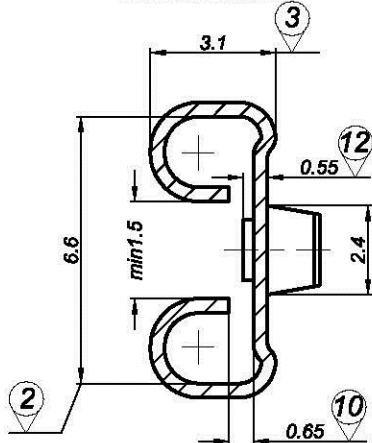
Section B-B



Section C-C



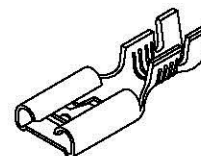
Section A-A



pitch=21.3mm



CABLE CROSS SECTION : 0.5-1 mm²
SOURCE STANDARD: DIN 46340 T3



NOTE: FOR CODES OF COATED PRODUCTS PLEASE LOOK IN THE CHARACTERISTICS NO:S05.017.

NO	MEASUREMENT DEVICE	MAX. VALUE	MIN. VALUE
1	MICROMETER	0.40	0.30
2	CALIPER	6.90	6.60
3	CALIPER	3.30	2.90
4	CALIPER	3.50	2.50
5	CALIPER	5.00	4.00
6	CALIPER	3.50	2.50
7	CALIPER	5.00	4.00
8	CALIPER	9.00	8.00
9	CALIPER	4.60	4.20
10	FEELER BLADE	0.70	0.60
11	CALIPER	7.30	6.90
12	CALIPER	0.57	0.53

DISTRIBUTION

	PART CODE	MATERIAL	STANDARD	COATING THICKNESS		
				Sn	Ag	Ni
01 ()	0100104024	CuZn30	TS EN 1652	-	-	-
02 ()						
03 ()	0300104024	CuSn6	TS EN 1652	-	-	-
04 ()	0500104024	DC ①	TS EN 10139	-	-	-
08 ()						
09 ()	DRAWN BY	D.ERLJK	SIGNATURE	DATE	07.04.2000	Part Code No
10 ()	CONFIRMATION	H.BOLAT	SIGNATURE	DATE	07.04.2000	Drawing No

Part Code No **0100104024**
Drawing No **5.10.0.1.04.024**